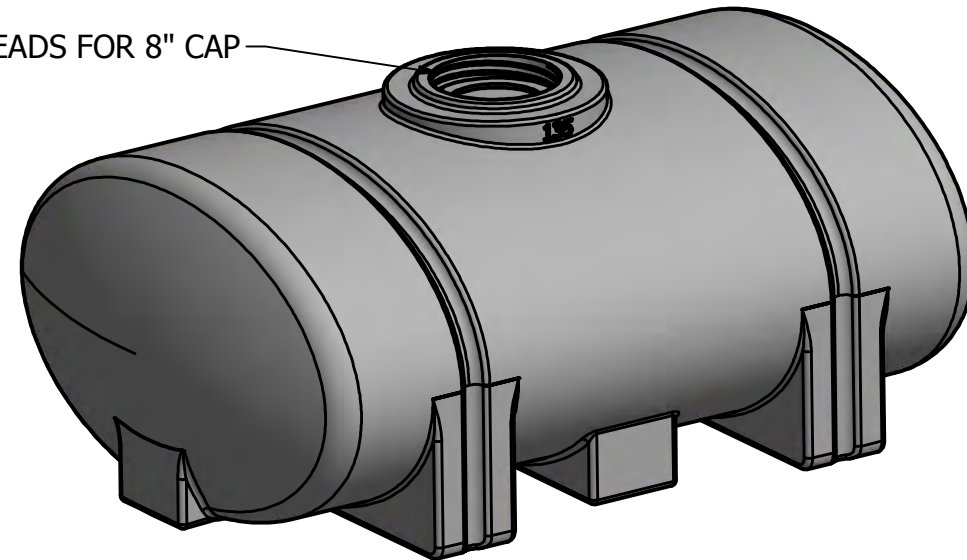
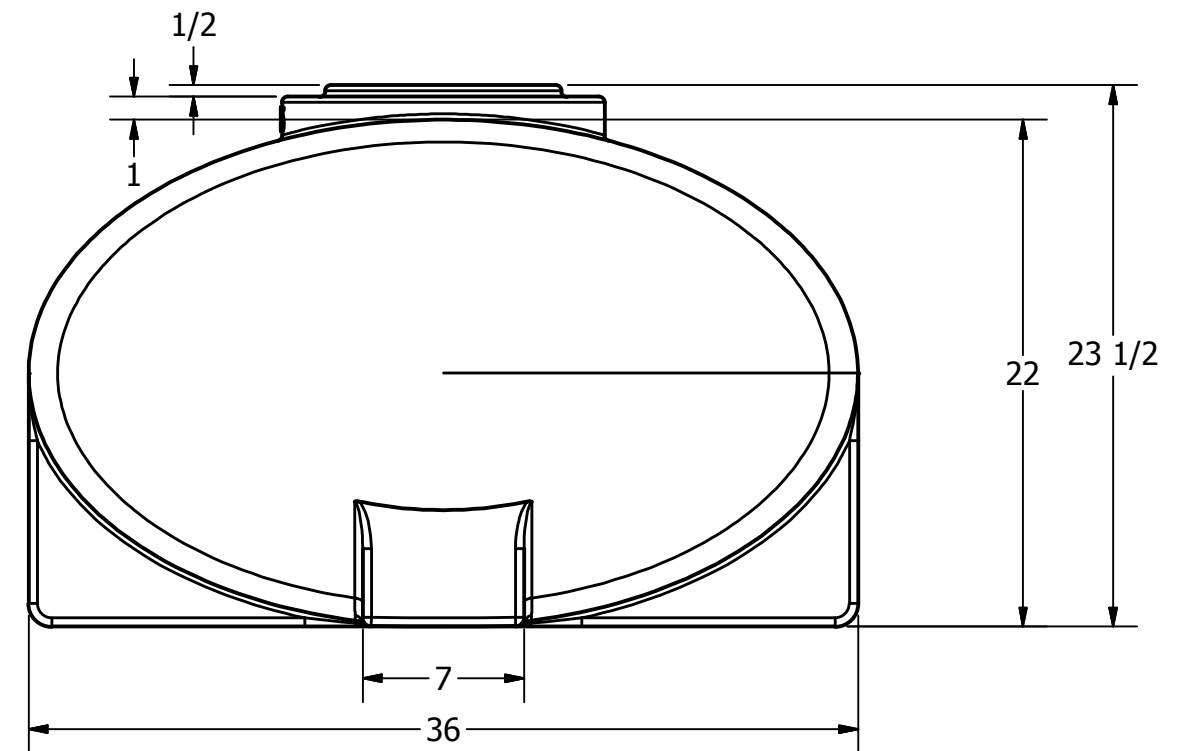
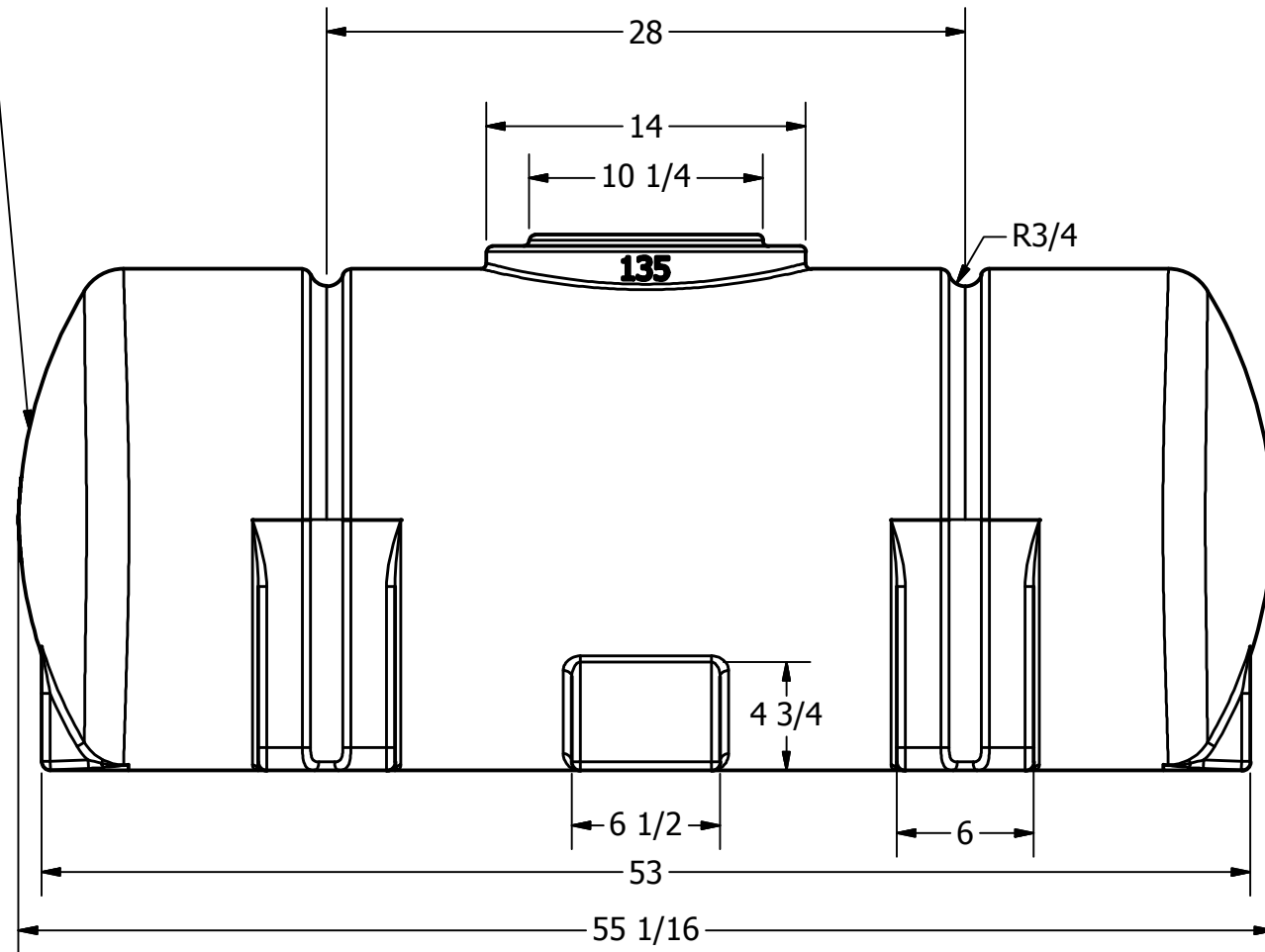



THREADS FOR 8" CAP



GALLON MARKERS ON THIS END



| | | | | |
|---------------------|-----------|---|--------------|----------|
| DRAWN Liv Oltean | 7-15-2016 |  NORWESCO, INC. SAINT BONIFACIUS, MN TITLE | | |
| CHECKED | | | | |
| QA | | | | |
| MFG | | | | |
| APPROVED | | SIZE B | DWG NO | REV A |
| | | SCALE: 1/16 | SHEET 1 OF 1 | |